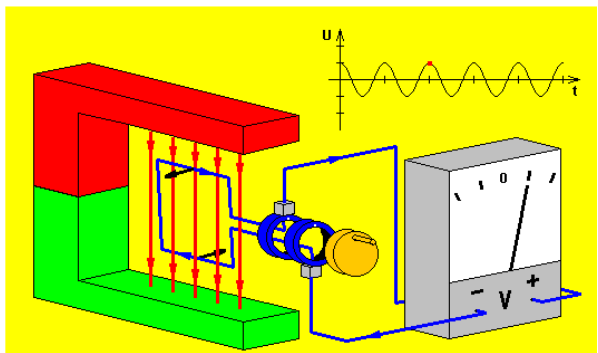
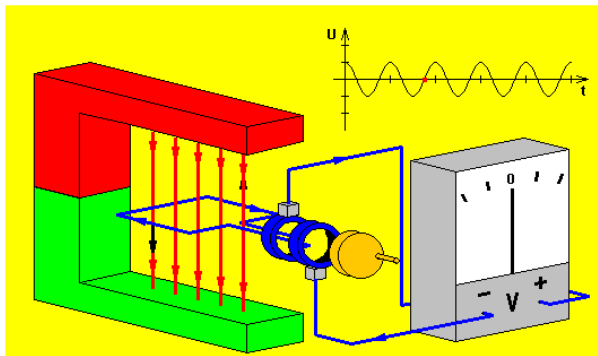
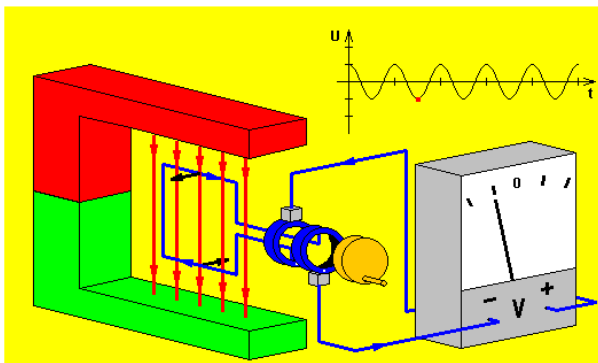
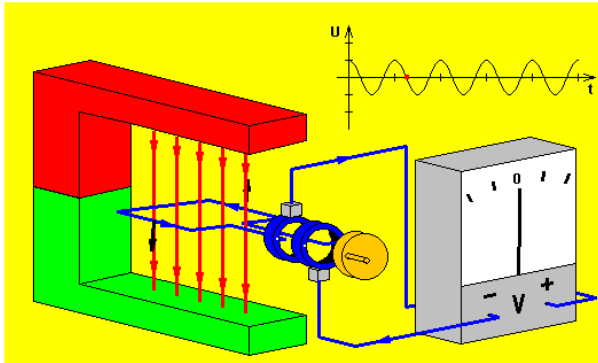


# The AC Generator

An AC generator does not have a split ring commutator like a DC motor/generator. Instead it has two 'slip rings'. Brushes connect the slip rings to the rest of the circuit. An AC generator produces an AC voltage.



# The DC Generator

---

A DC generator is just a DC motor that is used to generate a voltage by turning it. If you apply a DC voltage to a DC motor it will turn. If you turn a DC motor it will produce a voltage – through the voltage it produces is not the smooth DC you get from cells.

